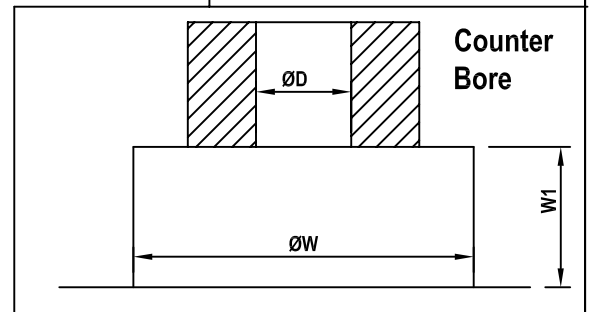
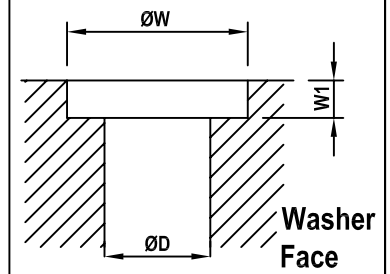
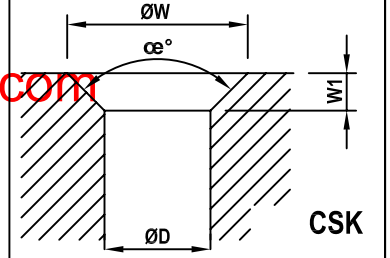
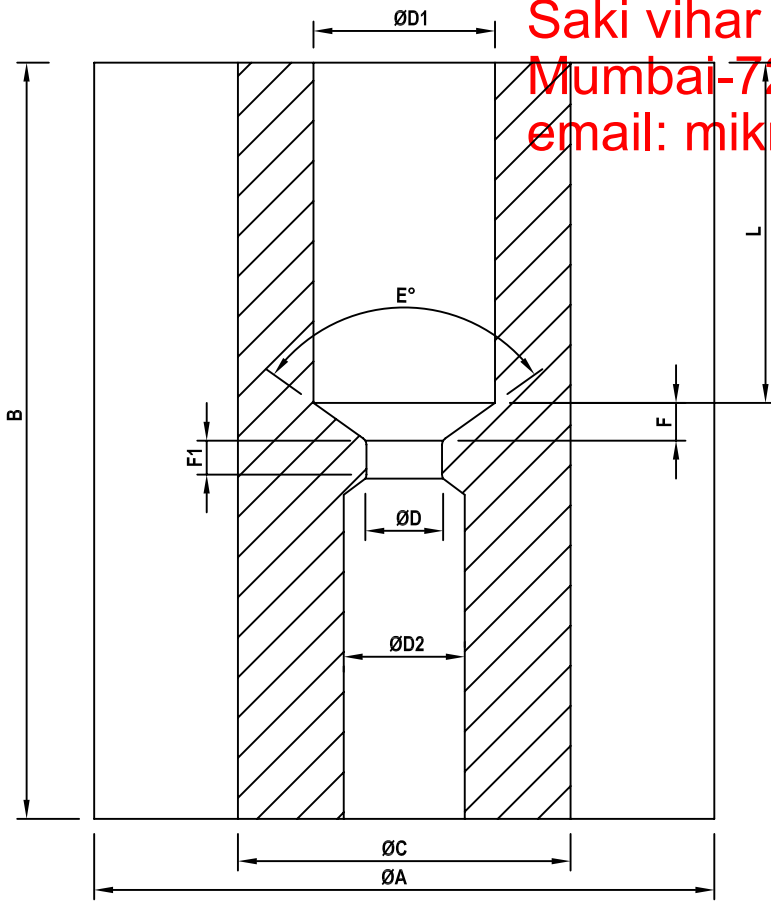


Mikron Engineers  
 C-7, Ansa Ind. Est.  
 Saki vihar road, Andheri-East  
 Mumbai-72  
 email: mikron@vsnl.com



Sr no.	$\varnothing A$	B	$\varnothing C$	$\varnothing D$	$\varnothing D_1$	L	F	F1	$\varnothing D_2$	$E^\circ$	TYPE	$\varnothing W$	W1	$\alpha^\circ$
1														
2														
3														
4														
5														
6														
7														
8														
9														
10														

Name of the Customer:

Designed by FAIZAN	Checked by PARIN	Approved by - date	File name	Date	Scale NTS
-----------------------	---------------------	--------------------	-----------	------	--------------

MIKRON ENGINEERS MUMBAI	ITEM DISCRIPTION: EXTRUSION		
	DRG. NO.	Edition	Sheet 1 of 1