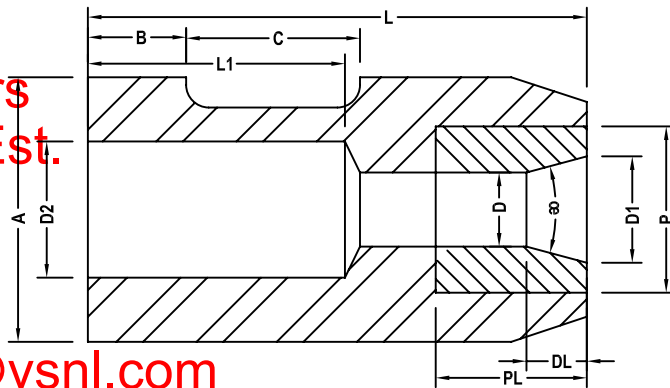
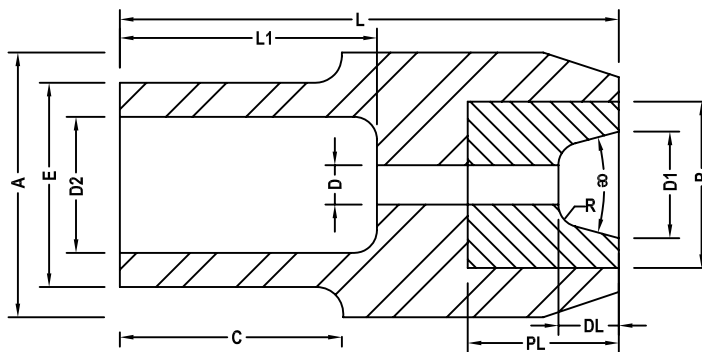


**TYPE 1**



**TYPE 2**



**TYPE 3**

Mikron Engineers  
 C-7, Ansa Ind. Est.  
 Saki vihar road,  
 Andheri-East  
 Mumbai-400072  
 Email : mikron@vsnl.com

| Sr.No. | TYPE | ØA | C | ØD | ØD1 | ØD2 | DL | ØE | L | L1 | ØP | PL | α | R |
|--------|------|----|---|----|-----|-----|----|----|---|----|----|----|---|---|
| 1      |      |    |   |    |     |     |    |    |   |    |    |    |   |   |
| 2      |      |    |   |    |     |     |    |    |   |    |    |    |   |   |
| 3      |      |    |   |    |     |     |    |    |   |    |    |    |   |   |
| 4      |      |    |   |    |     |     |    |    |   |    |    |    |   |   |
| 5      |      |    |   |    |     |     |    |    |   |    |    |    |   |   |

Name of the Customer:

|                       |                     |                    |           |                    |              |
|-----------------------|---------------------|--------------------|-----------|--------------------|--------------|
| Designed by<br>FAIZAN | Checked by<br>MALAY | Approved by - date | File name | Date<br>13.08.2009 | Scale<br>NTS |
|-----------------------|---------------------|--------------------|-----------|--------------------|--------------|

|  |                               |                                |
|--|-------------------------------|--------------------------------|
| <b>MIKRON ENGINEERS</b><br><b>MUMBAI</b> | <b>ITEM DISCRPTION: PUNCH</b> |                                |
|  | <b>DRG. NO.</b>               | Edition Sheet<br><b>1 of 1</b> |